





RX-B21

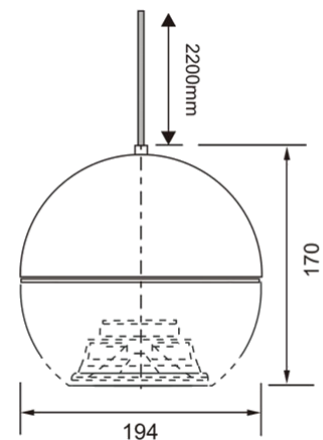
Speakers Spherical enclosure



-  **Wide coverage**
-  **Acoustical quality**
-  **High intelligibility**
-  **Easy and quick installation**

The **RX-B21** is a spherical-type speaker.

It is particularly tailored for areas with large ceiling heights (superior or equal to 3,5m). Its body out of HIPS gives it excellent moisture resistance. Its clean line and small size allow adaptation to any type of environment. It is delivered with a 2,20m multicore cable, making power selection easier when connected.



Features

Loudspeaker	18cm	
Powers	10W nominal	10-5-2,5 W
Frequency band	150Hz - 15kHz	
SPL	102dBA/10W/1m	92dBA/1W/1m
Directivity -6dB	140°	
Dimensions	194 x 170	Ø 180mm
Color	White	RAL 9016
Material	HIPS	
Weight	1,35Kg	

Applications

Humid places..... 

Music..... 

Speech..... 

-  **Sales areas**
-  **Warehouses**
-  **Industrial structures**
-  **Multipurpose rooms**
-  **Exhibition halls**

