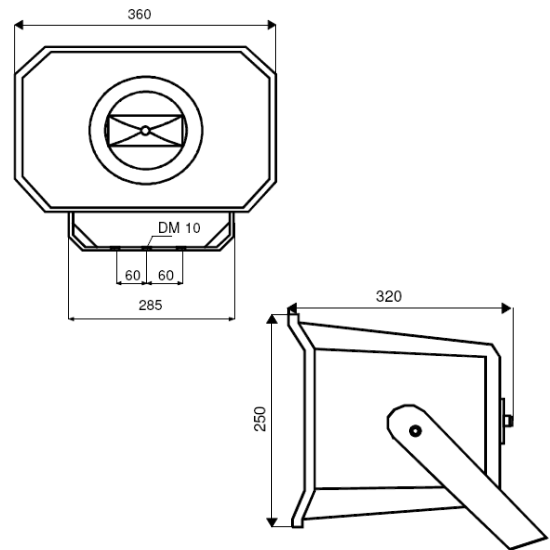


EN 54 - 24 Certified



The **MHE50T-EN5424** is a horn-type sound projector speaker. It combines acoustical performance of a sound projector with sound pressure of a horn loudspeaker . It allows to get a high public address sound quality together with a long range. Made out of ABS, it is weatherproof, shock and corrosion resistant. Its fixing device facilitates its orientation and ensures an easy and quick installation.

- 🌀 Exponential projector
- 🌀 High performance/ broadband
- 🌀 Increased directivity
- 🌀 Large frequency band
- 🌀 Harsh environments



Features

Loudspeaker	Single block	
Powers	50W nominal	50 / 30 / 15 W
Frequency band	90 Hz - 16 kHz	
Sensitivity	1W / 1m (0,9kHz)	105 dB
	50W / 1m (0,9kHz)	121 dB
EN54-24	Pink noise 1W/4m	85 dB
	Max 50W/4m	103 dB
-6dB openings	500Hz	110°
	4kHz	70°
Dimensions	Fixed centre distance 120mm	360 x 250 x 320mm
Color	Grey - White	
Material	ABS	
Weight	4,4Kg	

Applications

- Voice Alarm system.....
- Humid places.....
- Music.....
- Speech.....
- Stadiums
- Large distances Outdoors
- Campings
- Exhibition halls
- Technical premises
- Car parks

NB : As per the norm, the use of VA—casing is necessary.